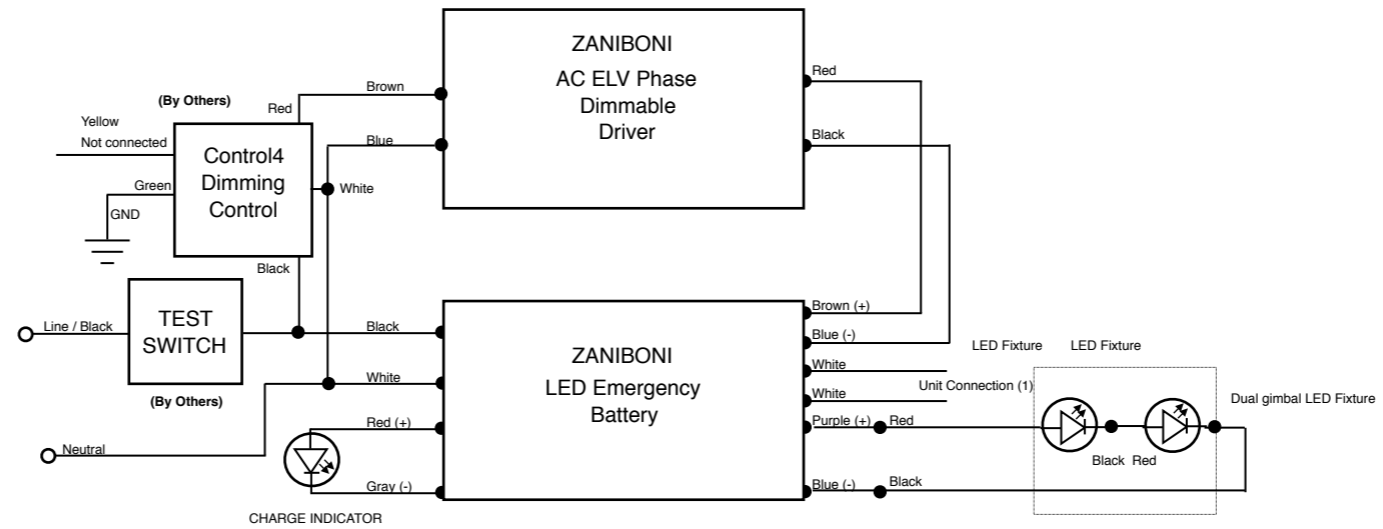


SWITCH WITH AC PHASE DIMMABLE DRIVER WIRING DIAGRAM
 Product Code F: ELV Dimmable + EM Backup on the product spec sheet



(1) DO NOT CONNECT UNTIL INSTALLATION IS COMPLETE AND AC POWER IS SUPPLIED

DRIVER AND SWITCH ILLUSTRATED IS FOR EXAMPLE PURPOSES ONLY - MANUFACTURERS VARY DEPENDING ON TECHNICAL REQUIREMENTS OF THE LIGHT