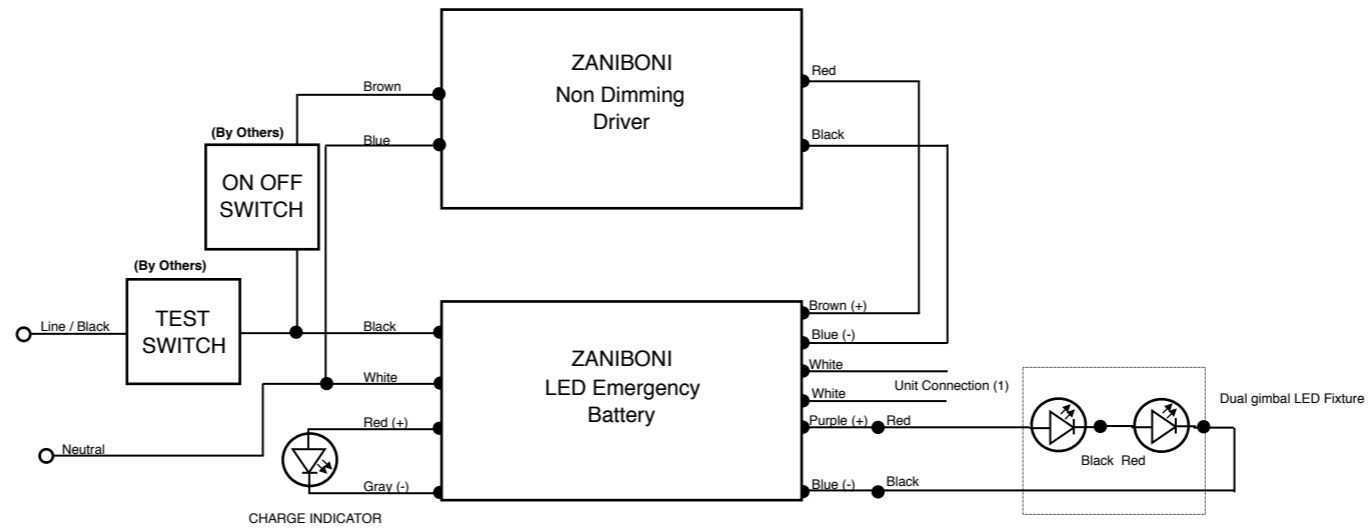


NON DIMMABLE DRIVER WIRING DIAGRAM
 Product Code Q: Non-Dimmable + EM Backup



(1) DO NOT CONNECT UNTIL INSTALLATION IS COMPLETE AND AC POWER IS SUPPLIED

DRIVER AND SWITCH ILLUSTRATED IS FOR EXAMPLE PURPOSES ONLY - MANUFACTURERS VARY DEPENDING ON TECHNICAL REQUIREMENTS OF THE LIGHT